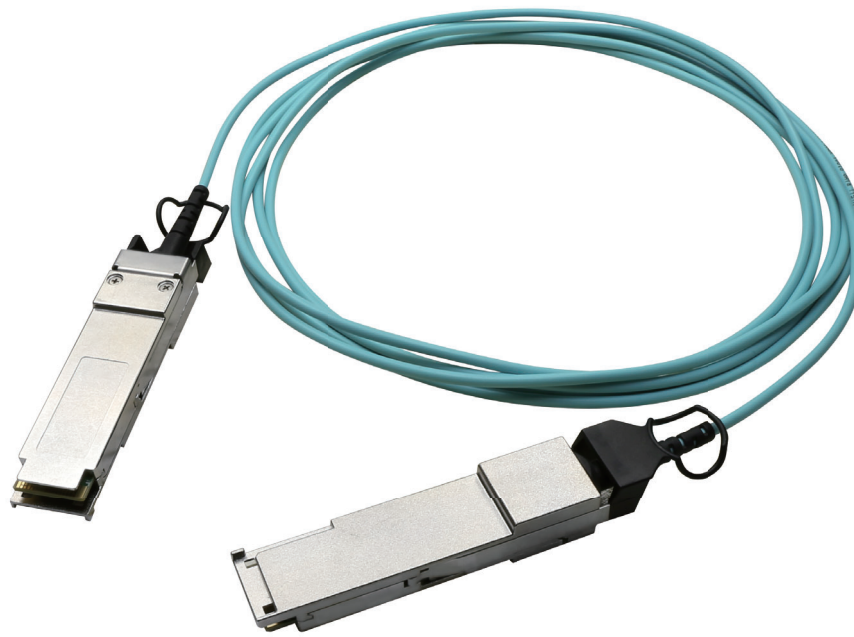


Active Optical Cable

100G QSFP28



Key Features

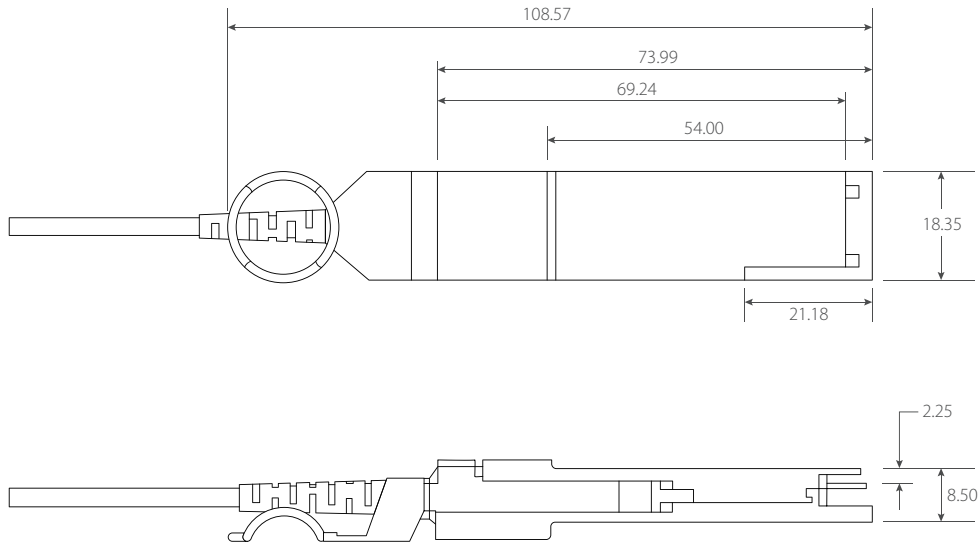
- 4 independent full-duplex channels active optical cable
- Electrical interface only
- Multi-rate capability: 10Gb/s to 25Gb/s per channel
- QSFP28 high density form factor
- Reliable VCSEL array technology using multimode fiber
- Round LSZH-rated cable
- Operating case temperature: 0°C to 70°C
- RoHS compliant

Applications

- IEEE 802.3bm 100GBASE SR4 and 40GBASE SR4
- Infiniband FDR/EDR
- 32G fiber channel



Dimensions



Unit: mm

Absolute Maximum Ratings

	Min.	Max.
Storage Temperature	-40°C	+85°C
Relative Humidity (Non-condensing)	0%	85%
Supply Voltage	-0.5V	3.6V

Recommended Operating Conditions

	Min.	Typ.	Max.
Operating Temperature	0°C	-	+70°C
Supply Voltage	3.135V	3.3V	3.465V
Supply Current		150mA	200mA
Data Rate per Channel	-	25.78125Gbps	-
Bit Error Ratio			10 ⁻¹²
Input Swing (Differential)	200mV		950mV
Output Swing (Differential)	250mV		900mV

Active Optical Cable

100G QSFP28



A BizLink Group Company

Order information

AOCQ2810085SR01	1 meter QSFP+ Active Optical Cable
AOCQ2810085SR03	3 meter QSFP+ Active Optical Cable
AOCQ2810085SR05	5 meter QSFP+ Active Optical Cable
AOCQ2810085SR07	7 meter QSFP+ Active Optical Cable
AOCQ2810085SR10	10 meter QSFP+ Active Optical Cable
AOCQ2810085SR15	15 meter QSFP+ Active Optical Cable
AOCQ2810085SR20	20 meter QSFP+ Active Optical Cable



www.bizlinktech.com

OptiWorks, Inc.

47211 Bayside Parkway, Fremont, CA 94538, USA
Phone +1 510 438 4560
sales@optiworks.com

OptiWorks (Kunshan) Co., Ltd.

No. 168, Nanhe Rd., Kunshan Economic & Technology
Development Zone, Kunshan City, Jiangsu 215300, China
Phone +86 512 5763 0863
contact@optiworks.com

OptiWorks (Shanghai) Co., Ltd.

Room 810-811, Changchun Business Building,
No. 953 Qinzhou North Road, Shanghai 200233, China
Phone +86 021 6485 8787
contact@optiworks.com

© 2019 BizLink Group. All rights reserved.
BizLink, OptiWorks, and other trademarks are the trademarks of BizLink Group or its subsidiaries.
Specifications are subject to change without prior notice. September 2019